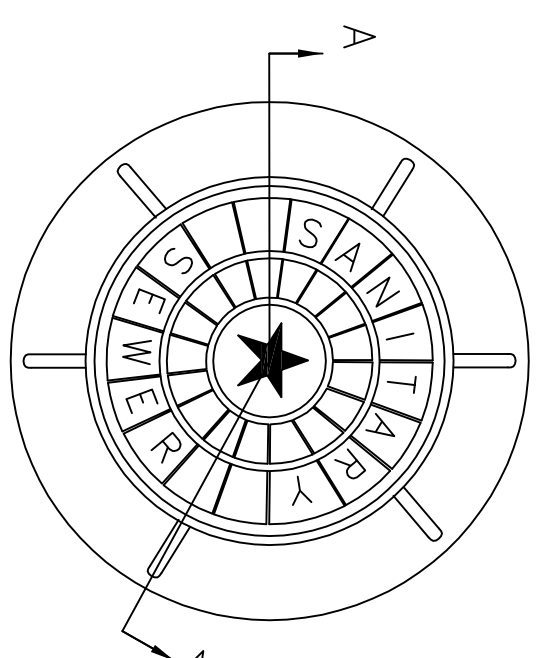
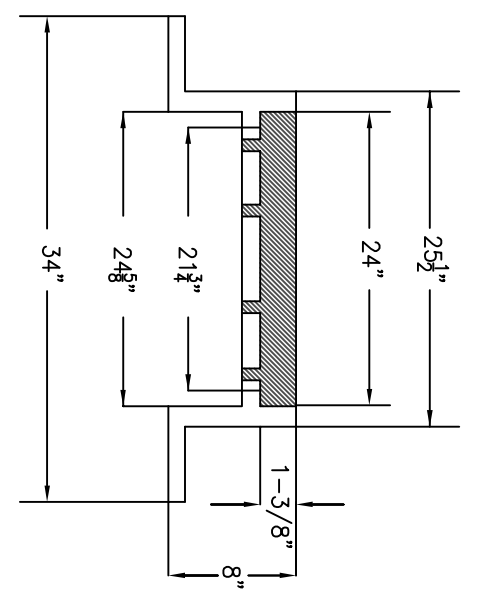


STANDARD SERVICE LATERAL CONNECTION

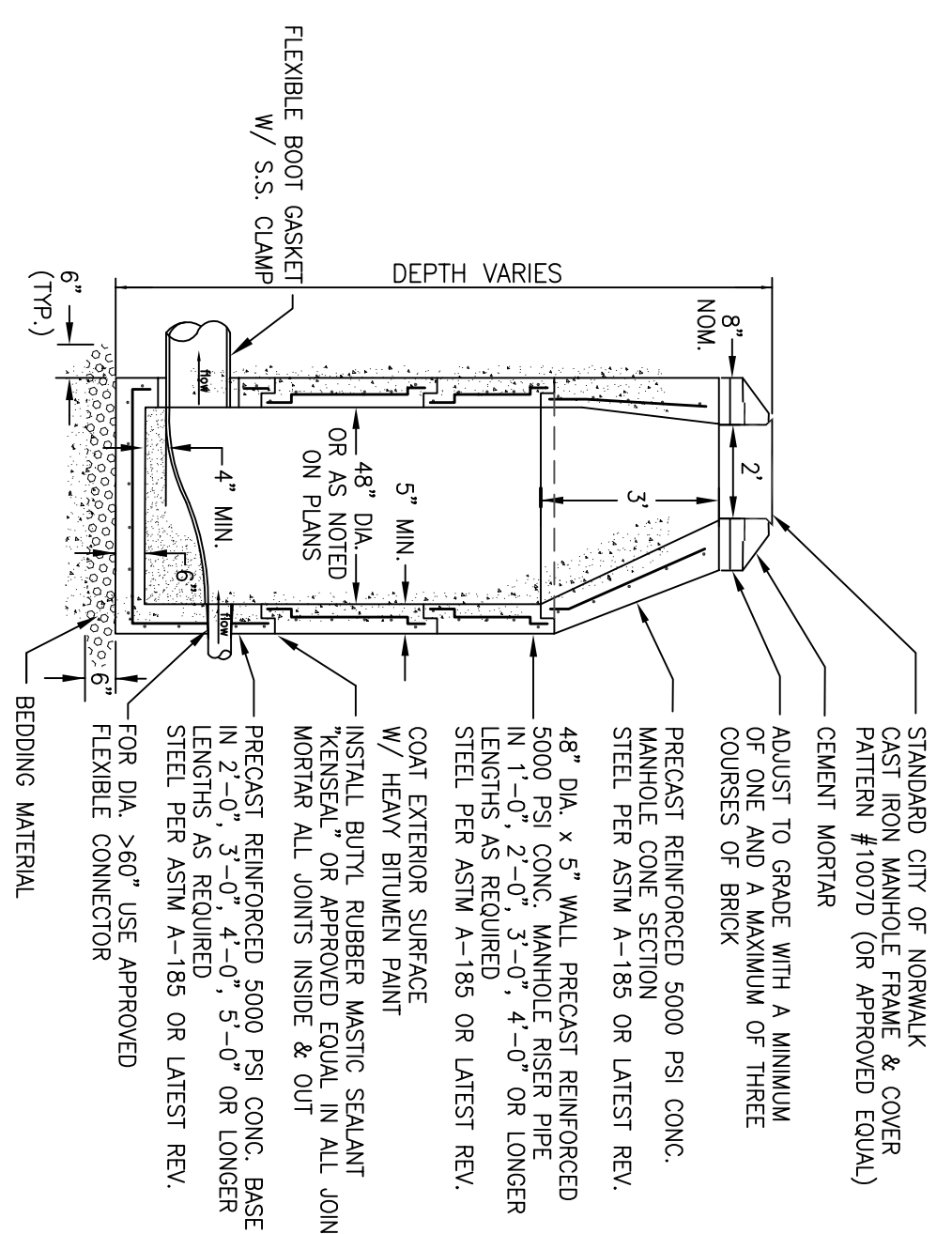


SECTION A-A

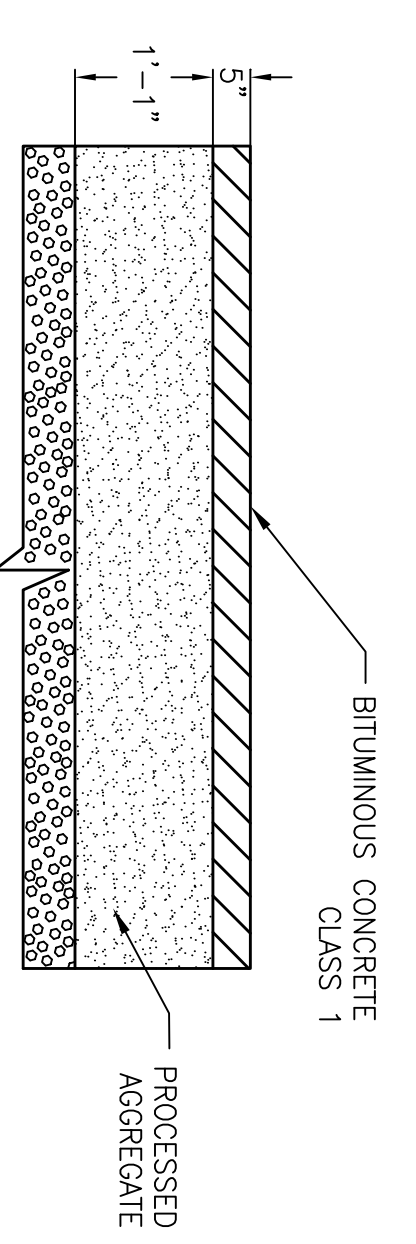


MANHOLE FRAME & COVER  
NOT TO SCALE

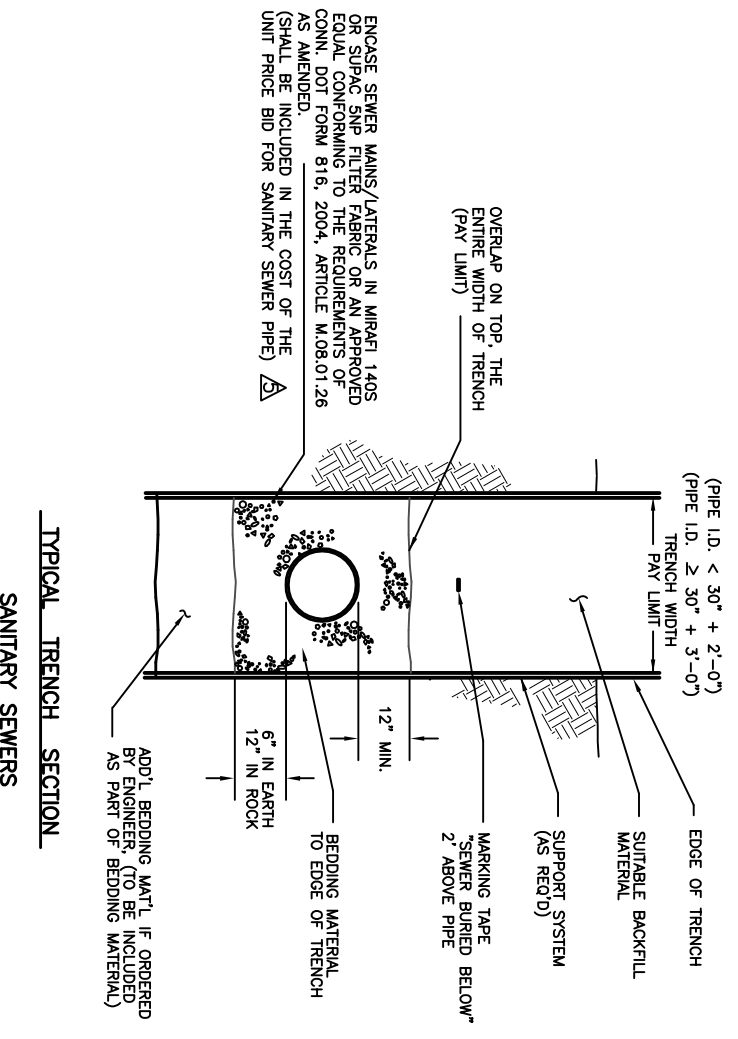
NOTE:  
MANHOLE FRAMES & COVERS SHALL BE PATTERN FLOOTED AS MANUFACTURED BY THE MANHOLE FRAME & COVER PATENT #1800 (OR APPROVED EQUAL) OF NORTH HAVEN, CONNECTICUT, OR APPROVED EQUAL.



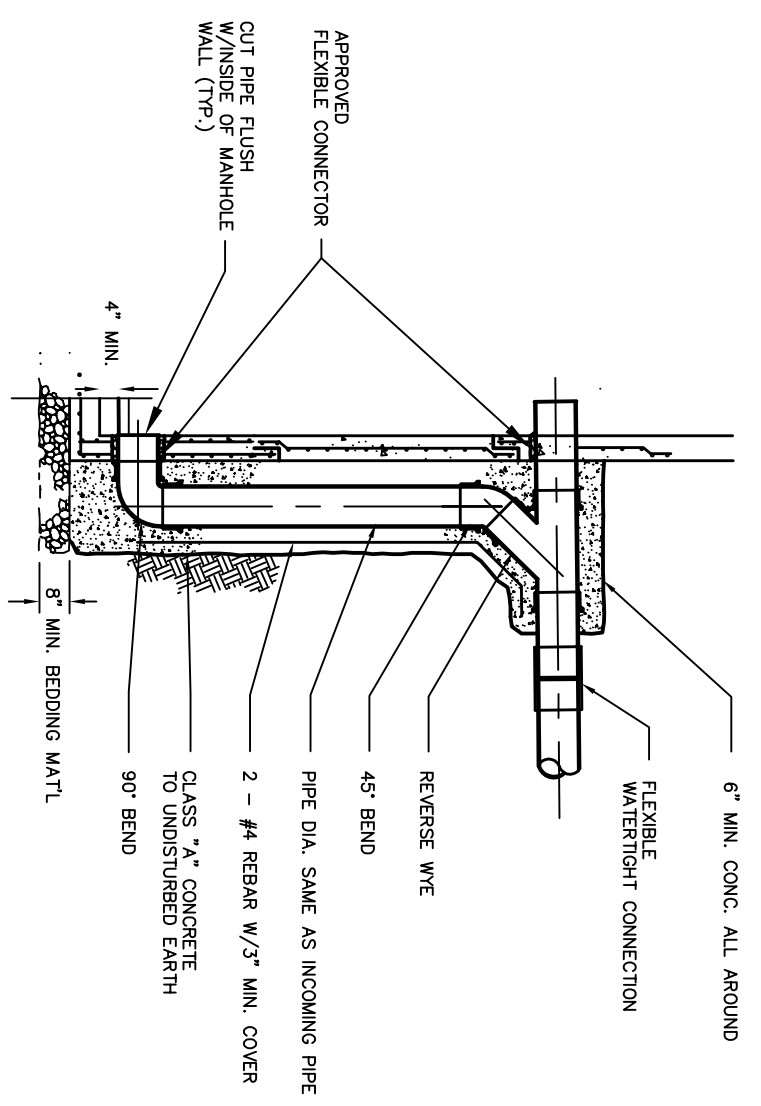
MANHOLE DETAIL



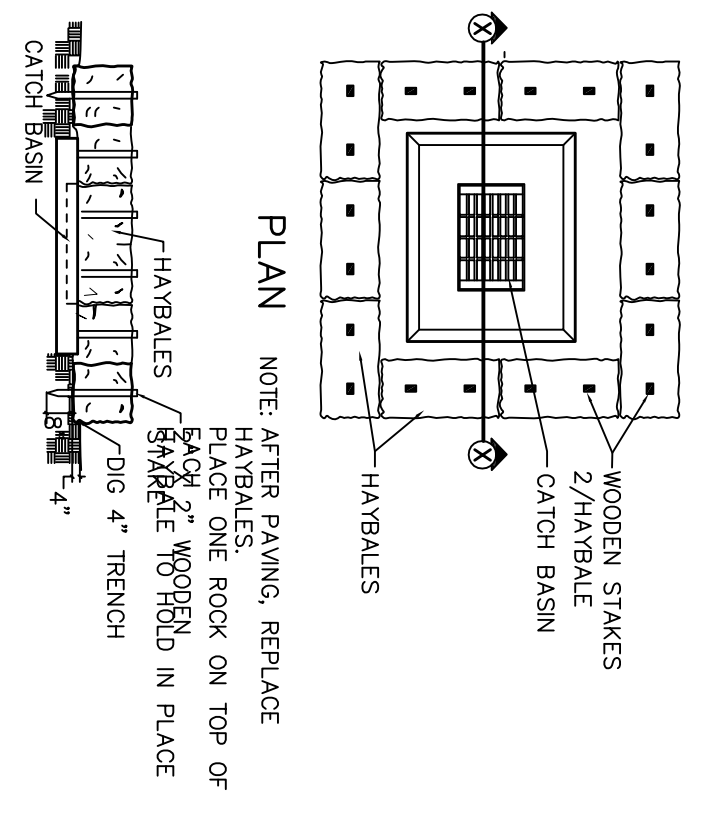
TEMPORARY PAVING DETAIL  
NOT TO SCALE



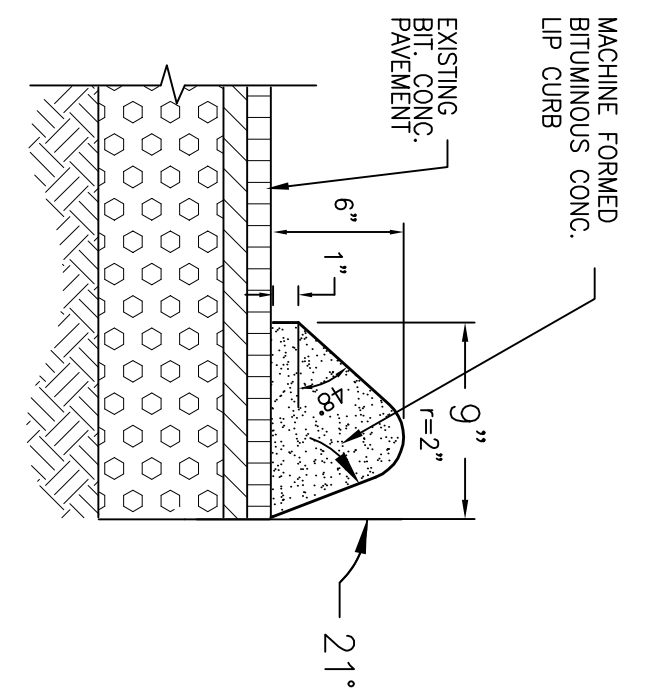
TYPICAL TRENCH SECTION  
SANITARY SEWERS  
NOT TO SCALE



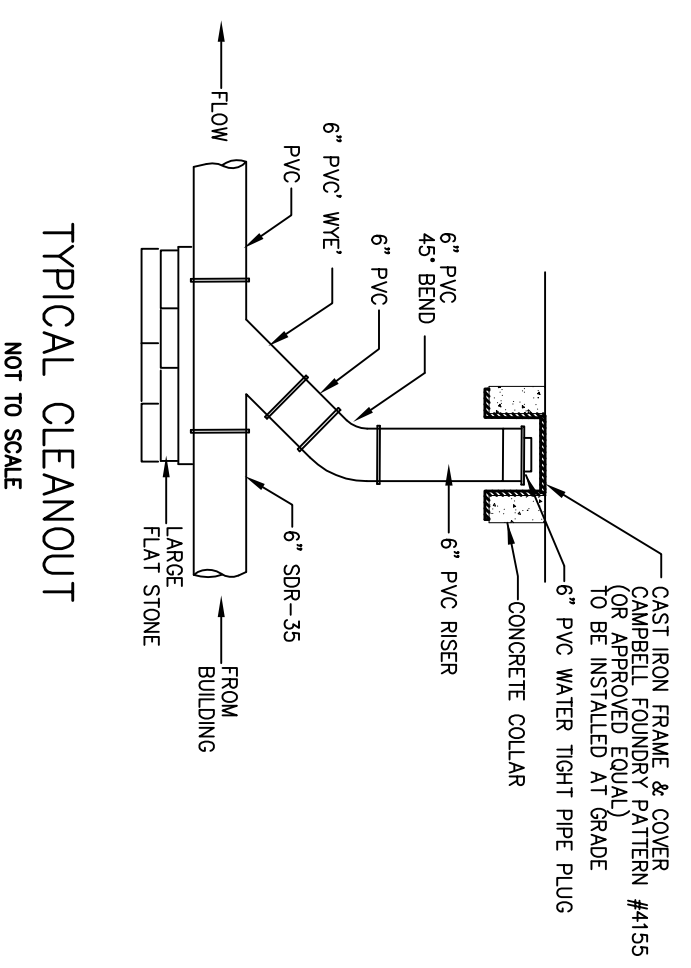
DROP SANITARY MANHOLE DETAIL  
1/2\"/>



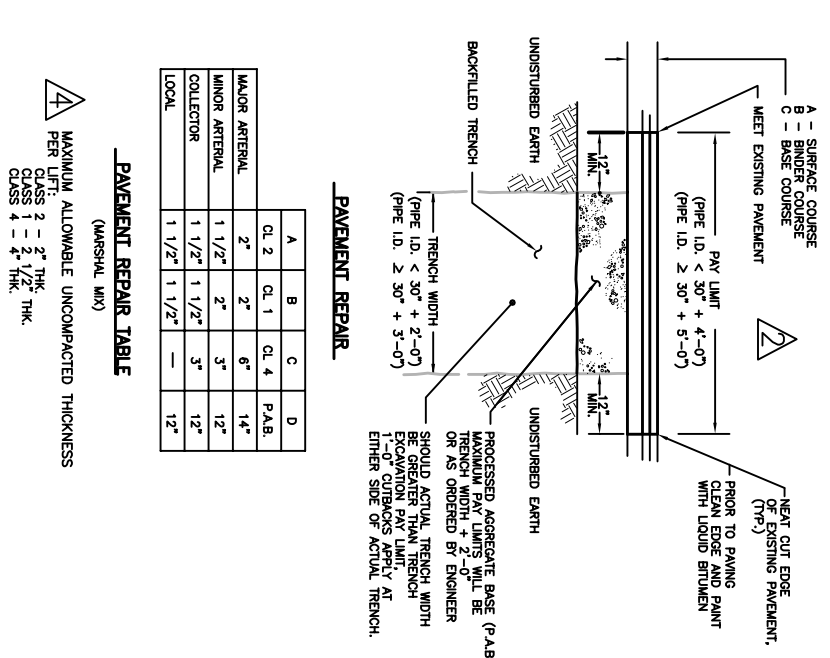
CATCHBASIN - SILT PROTECTION  
NOT TO SCALE



BIT. CONC. CURB  
NOT TO SCALE



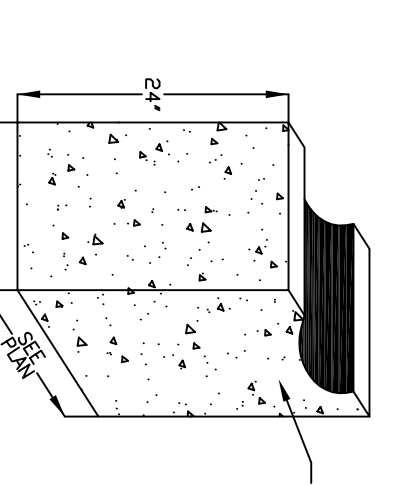
TYPICAL CLEANOUT  
NOT TO SCALE



MANHOLE DETAIL  
NOT TO SCALE

TYPE	1	2	3	4	5	6	7
TYPE 1	0.2570	0.2670	0.2770	0.2870	0.2970	0.3070	0.3170
TYPE 2	0.2670	0.2770	0.2870	0.2970	0.3070	0.3170	0.3270
TYPE 3	0.2770	0.2870	0.2970	0.3070	0.3170	0.3270	0.3370
TYPE 4	0.2870	0.2970	0.3070	0.3170	0.3270	0.3370	0.3470
TYPE 5	0.2970	0.3070	0.3170	0.3270	0.3370	0.3470	0.3570
TYPE 6	0.3070	0.3170	0.3270	0.3370	0.3470	0.3570	0.3670
TYPE 7	0.3170	0.3270	0.3370	0.3470	0.3570	0.3670	0.3770

REVISED: 2-14-20 - UPDATED DETAILS  
REVISED: 12-31-19 - UPDATED DETAILS.



CONCRETE PIER DETAIL  
NOT TO SCALE

GENERAL CONSTRUCTION NOTES:

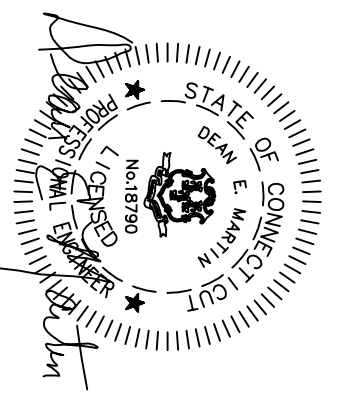
1. CONSTRUCTION AND STRUCTURES SHALL COMPLY WITH ALL CITY OR STATE REQUIREMENTS. ALL WORK SHALL BE CERTIFIED BY A REGISTERED PROFESSIONAL ENGINEER TO THE SATISFACTION OF THE ENGINEERING BUREAU, THAT CONSTRUCTION IS IN ACCORDANCE WITH THESE PLANS.
2. THE ENGINEERING BUREAU OF THE DEPARTMENT OF PUBLIC WORKS AND THE ENGINEER OF RECORD SHALL BE NOTIFIED THREE DAYS PRIOR TO THE COMMENCEMENT OF EACH PHASE OF CONSTRUCTION.
3. NO CERTIFICATION OF CONFORMANCE SHALL BE ISSUED BY THE DESIGN ENGINEER IF PROPER NOTICE IS NOT PROVIDED FOR INSPECTIONS OR IF INSPECTIONS ARE NOT MADE PRIOR TO BACKFILLING OF BELOW GROUND STRUCTURES AND APPURTENANCES.
4. SUBSURFACE STRUCTURES AND UTILITIES HAVE BEEN DETERMINED FROM EXISTING RECORDS AND ARE NOT GUARANTEED TO BE COMPLETE OR ACCURATE. TO AVOID CONFLICT OF THE PROPOSED WORK AND EXISTING UTILITIES, THE CONTRACTOR SHALL LOCATE EXISTING UTILITIES BY EXCAVATING TEST HOLES. SHOULD THE CONTRACTOR DETERMINE THAT A CONFLICT EXISTS, HE SHALL PROMPTLY NOTIFY THE ENGINEER WHO WILL MAKE THE NECESSARY ADJUSTMENTS.
5. EXISTING SITE INFORMATION IS TAKEN FROM MAPS ON FILE IN THE CITY OF NORWALK, ENGINEERING DEPARTMENT AND FROM A TOPOGRAPHIC SURVEY OF PROPERTY PREPARED FOR SAINT GEORGE GREEK ORTHODOX CHURCH, 238 WEST ROCKS ROAD, NORWALK DATED JULY 23, 2001 C.T. BY ARCAMONE LAND SURVEYORS, NORWALK, CT. EXISTING SANITARY SEWER DATA OBTAINED FROM CITY OF NORWALK, ENGINEERING DEPARTMENT. TOPOGRAPHIC DATA IS TAKEN FROM CITY OF NORWALK GIS TOPOGRAPHIC MAPS, USING (NAVD89) VERTICAL DATUM.
6. ALL SANITARY SEWER PIPE SHALL BE SDR-35 P.V.C. (ASTM D-3034). ALL SANITARY SEWER PIPE SHALL HAVE RUBBER GASKET SLIP TYPE JOINTS. INFILTRATION INTO SANITARY SEWER SHALL NOT EXCEED 150 GALLONS PER INCH OF PIPE DIAMETER PER MILE OF PIPE IN 24 HOURS.
7. ALL PROPOSED SEWER LATERALS TO SERVICE EXISTING LOTS SHALL BE 6" SDR-35 P.V.C.. THEY SHALL BE INSTALLED AT A MINIMUM GRADE OF 2% (0.02 FT/FT) AND WITH A MINIMUM COVER OF 30".
8. PROPOSED SANITARY SEWER LATERAL LOCATIONS SHOWN ARE APPROXIMATE ONLY. LATERAL LOCATIONS MAY BE ADJUSTED TO CONFORM TO FIELD CONDITIONS AS DIRECTED BY THE ENGINEER. CONTRACTOR SHALL COORDINATE LATERAL LOCATIONS WITH INDIVIDUAL PROPERTY OWNERS.
9. ALL POLY-VINYL CHLORIDE (P.V.C.) PIPE SHALL CONFORM TO ASTM D-3034 FOR TYPE DSM PVC SEWER AND PIPE FITTINGS.
10. WHEN A WATER MAIN INTERSECTS A SANITARY SEWER, ONE FULL LENGTH OF PIPE SHALL BE CENTERED OVER THE SEWER SO THAT THE JOINTS SHALL BE AS FAR AS POSSIBLE FROM THE SEWER LINE. ALL SANITARY SEWERS SHALL BE LAD AT LEAST 10 FEET HORIZONTALLY AND ONE FOOT VERTICALLY FROM ANY WATER LINE.
11. SANITARY SEWER SHALL BE INSPECTED AND TESTED AFTER INSTALLATION. PRIOR TO CONNECTION OF SEWER LATERALS TO HOUSES, SANITARY MANHOLES SHALL BE TESTED AND ACCEPTED PRIOR TO CONNECTION. TESTING REQUIREMENTS FOR PIPELINES SHALL BE BY MEANS OF "AIR TEST" WITH TEST PRESSURE OF 5 P.S.I., FOR A DURATION OF 5 MINUTES PER SEGMENT. MANHOLES SHALL BE TESTED UTILIZING DEVICE TO WITHDRAW AIR CREATING A VACUUM OF 10 P.S.I.G., FOR A DURATION OF 2 MINUTES. TV VIDEO INSPECTION SHALL ALSO BE DONE FOR ALL SANITARY SEWER MAINS. CONTRACTOR SHALL BE RESPONSIBLE FOR NOTIFYING ENGINEER AND CITY OF NORWALK, ENGINEERING DEPARTMENT WHEN SYSTEM IS READY FOR TESTING. NOTIFICATION MUST BE THREE DAYS PRIOR TO TEST.
12. AN "AS-BUILT" PLAN & PROFILE SHALL BE PROVIDED TO CITY OF NORWALK, DEPARTMENT OF PUBLIC WORKS, AFTER COMPLETION OF INSTALLATION.
13. ALL SEPTIC TANKS TO BE ABANDONED, SHALL BE PUMPED, GUSHED AND BACKFILLED IN ACCORDANCE WITH STATE OF CONNECTICUT, DEPARTMENT OF HEALTH REQUIREMENTS.
14. THE CONTRACTOR SHALL BE RESPONSIBLE FOR NOTIFYING "CALL BEFORE YOU DIG", AT 1-800-922-4455, PRIOR TO START OF CONSTRUCTION.
15. CONTRACTOR IS RESPONSIBLE FOR OBTAINING ALL NECESSARY PERMITS FROM THE CITY OF NORWALK (PLANNING & ZONING, DEPARTMENT OF PUBLIC WORKS, ETC.).
16. CONTRACTOR SHALL INSTALL TEMPORARY PAVEMENT AS SOON AS TRENCH IS BACKFILLED. PERMANENT PAVEMENT SHALL BE PLACED AFTER TRENCH HAS HAD SUFFICIENT SETTLING TIME (APPROXIMATELY SIX WEEKS). PAVEMENT SHALL BE INSTALLED IN ACCORDANCE WITH CITY OF NORWALK, DEPARTMENT OF PUBLIC WORKS REQUIREMENTS.

REVISIONS	
2	2-14-20 UPDATED DETAILS
1	12-31-19 UPDATED DETAILS

ST. GEORGE GREEK ORTHODOX CHURCH  
NORWALK, CT

DETAILS & NOTES

04-3335  
3 OF 3  
3-15-05



GRUMMAN ENGINEERING L.L.C.  
CONSULTING CIVIL ENGINEERS  
20 NORT ST. NORWALK, CONNECTICUT 06851  
PH: (203) 853-3633 FAX: (203) 286-5027