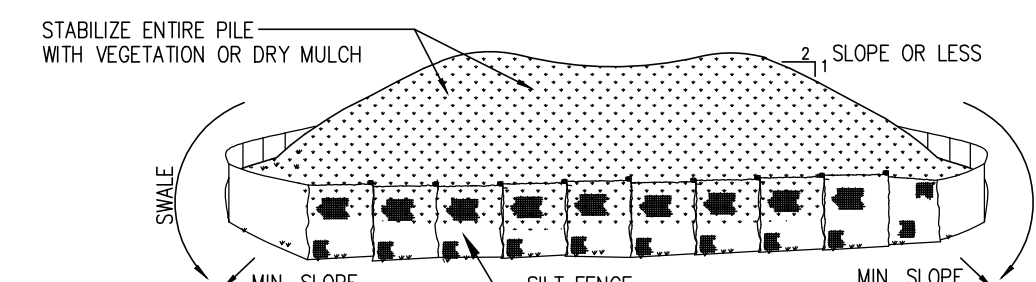


CONSTRUCTION NOTES

1. Refer to a survey entitled "Topographic Survey" for Dixon Torres Zuniga, 3 Apple Tree Lane, Norwalk" by Sound View Engineers & Land Surveyors, dated August 24, 2021.
2. The purpose and intent of this plan is to depict the proposed development associated with the construction of additions to the dwelling including a new front porch. In addition, renovations to existing sheds on site with drainage improvements.
3. Contours and elevations depicted hereon are referenced to an assumed Datum.
4. In accordance with Connecticut Public Act 87-71 and Connecticut General Statutes (CGS) Sections 16-34S through 16-359, the contractor shall verify the depth and location of all utilities prior to commencing construction, and shall contact "Call Before You Dig, Inc." at 1-800-922-4455, 72 hours prior to commencing construction.
5. The locations of subsurface structures and utilities as depicted hereon indicate only that the structures exist, and no responsibility is assumed by the engineer or surveyor for the accuracy of the locations shown.
6. All construction shall comply with applicable sections of the State of Connecticut, City of Norwalk, and Connecticut Basic Building codes, and those criteria shall take precedent over these plans.
7. The project engineer and the City of Norwalk Building Department shall be notified three days prior to commencing construction.
8. Construction shall be inspected by a professional engineer as the work progresses. The contractor shall inform the project engineer of the project schedule so that proper and timely inspections can be made.
9. Any change in the location or design of the proposed drainage system without prior approval of the design engineer is not permitted.
10. Certification by a registered professional engineer is required that construction is substantially in accordance with these plans, including the submission of an "as-built" map, prepared by a licensed land surveyor.
11. There shall be no dumping of construction debris and/or excess excavated material into or in proximity to any wetland areas. Excess material excavated during construction shall be disposed of legally off site.
12. All new utilities including electric, telephone, and cable TV shall be installed underground.
13. Final design for all utilities, other than drainage shall be provided by each respective utility company.
14. All PVC pipe shall conform to ASTM D3034-04a "Standard Specification for Type PSM PolyVinyl Chloride (PVC) Sewer Pipe and Fittings," or engineer approved equivalent (SDR-35).
15. Roof leader downspouts shall be discharge to the Culltec System, as indicated on the approved plans.
16. Bedding and backfill material shall conform to ASTM D2321-05 "Standard Practice for Underground Installation of Thermoplastic Pipe for Sewers and Other Gravity-Flow Applications."
17. Where a soft sub-soil is encountered during construction of storm or sanitary sewers, the contractor shall remove the unsuitable material and replace it with other material approved by the engineer.
18. The contractor shall provide all the equipment, tools, labor and materials necessary to satisfactorily clean and remove all visible obstructions, dirt, sand, sludge, roots, gravel, stones, etc., from the designated sewers, drains and manholes.
19. Processed aggregate shall be in accordance with the City of Norwalk standards and/or Connecticut State Highway Specifications.
20. Re-grading, filling, and other alterations to the site shall be restricted to the minimum level necessary to complete the project as shown on the approved plans.

SEDIMENTATION AND EROSION CONTROL NOTES

1. Erosion and sediment control devices shall be installed in their proper sequence. No clearing or grading may be done in any area until the erosion control devices for that area, as shown on the plan, are in place and functional.
2. All sediment and erosion control devices and provisions shall be maintained in operational condition by the contractor until final acceptance of the project.
3. No changes of this soil erosion and sediment control plan may be made without prior approval of the supervising engineer.
4. The contractor may provide alternate means of sediment control, but he may not eliminate placement of protection in the areas indicated hereon.
5. Natural vegetation shall be maintained and protected where practical.
6. Land disturbance is to be kept to a minimum. Re-establishment and/or stabilization of disturbed areas shall be scheduled as soon as practical.
7. Erosion controls shall be monitored periodically to verify that they are maintained in effective working order. If, during construction, additional control measures are necessary, they shall be installed by that contractor.
8. The contractor shall re-grade, topsoil, and seed all disturbed areas immediately after construction has been completed.
9. Sediment fencing shall be installed where required prior to commencing construction, and shall remain in place for the duration of the project. Fencing shall be Propex Silt Stop (TM) as manufactured by Amoco, or engineer approved equivalent.
10. Sediment or debris shall be removed from the drainage pipes and structures as it accumulates during construction. It shall be disposed of in a manner which is consistent with the intent of this plan.
11. Refer to Connecticut Guidelines for Soil Erosion and Sediment Control (2002) for additional details and specifications.
12. All designated trees shall be protected during the construction period, except those designated to be removed. Tree protection shall be in accordance with generally accepted standards. (Refer to the Connecticut Guidelines for Soil Erosion and Sediment Control (2002) for details and specifications.)

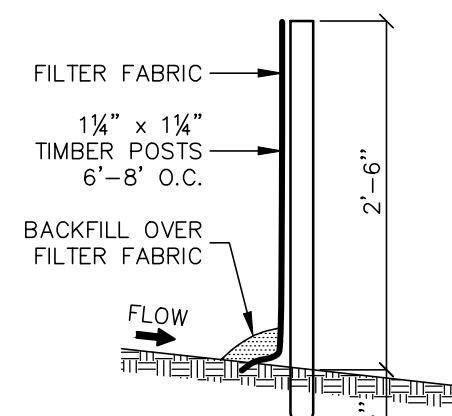


INSTALLATION NOTES

1. THE AREA CHOSEN FOR STOCKPILING SHALL BE FLAT, DRY AND STABLE.
2. MAXIMUM SLOPE OF STOCKPILE SHALL BE 1:2.
3. UPON COMPLETION OF SOIL STOCKPILING, EACH PILE SHALL BE SURROUNDED WITH EITHER SILT FENCING OR HAY BALES, THEN STABILIZED WITH VEGETATION OR DRY MULCH.
4. SEE SPECIFICATIONS (THIS SHEET) FOR INSTALLATION OF SILT FENCE.

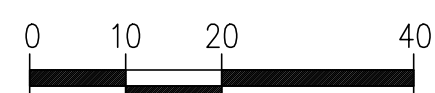
SOIL STOCKPILE DETAIL

N.T.S.



EROSION CONTROL FENCE

N.T.S.

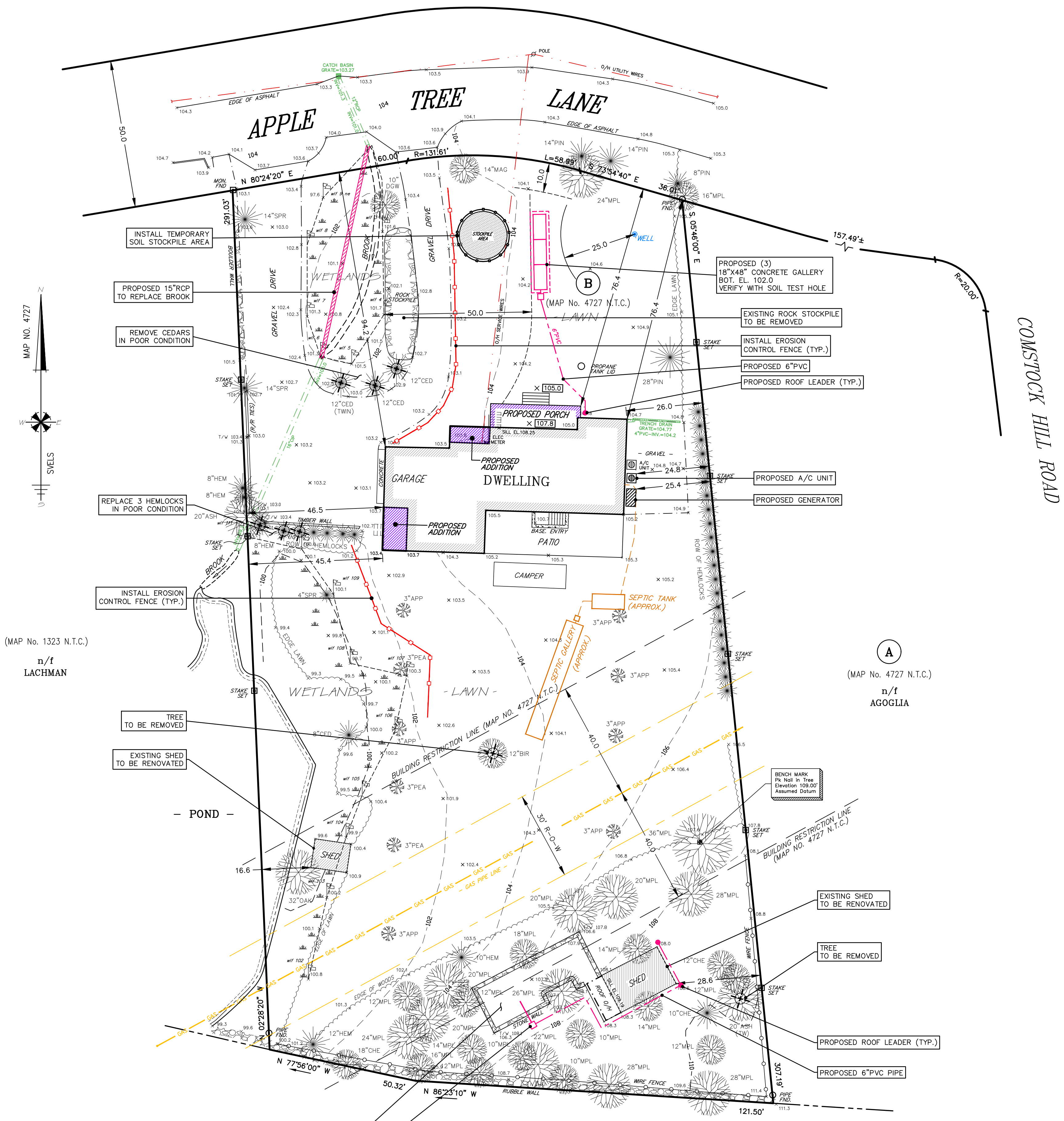


GRAPHIC SCALE

LEGEND

	Tree To be Removed		Existing Contours
	Tree Protection		Proposed Contours
	Existing Elevations		Erosion Control Fence
	Proposed Elevations		Deep Test Hole
			Perc Test

Zone: AAA
Map 5 Block 46 Lot 74A
Area = 49,539 Sq. Ft.
1.1372 Acres



TREE LEGEND

APL	APPLE	PREFIX:
ASH	ASH	TR = TRIPLEX
BEE	BEECH	TW = TWIN
BIR	BIRCH	QU = QUADRUPLE
CDP	CEDAR	
CHC	CHERRY	
CHN	CHESTNUT	
DGW	DOGWOOD	
ELM	ELM	
GUM	GUM	
HEM	HEMLOCK	
HIC	HICKORY	
HOR	HORSE CHESTNUT	
JMP	JAPANESE MAPLE	
LAU	LAUREL	
LEL	LELAC	
LOC	LOCUST	
MAG	MAGNOLIA	
MPL	MAPLE	
OAK	OAK	
PINE	PINE	
POP	POPLAR	
SAS	SASSAPARAS	
SPR	SPRUCE	
SYC	SYCAMORE	
TAM	TAMARACK	
TUL	TULIP	
WCH	WEeping CHERRY	
WIL	WEeping WILLOW	

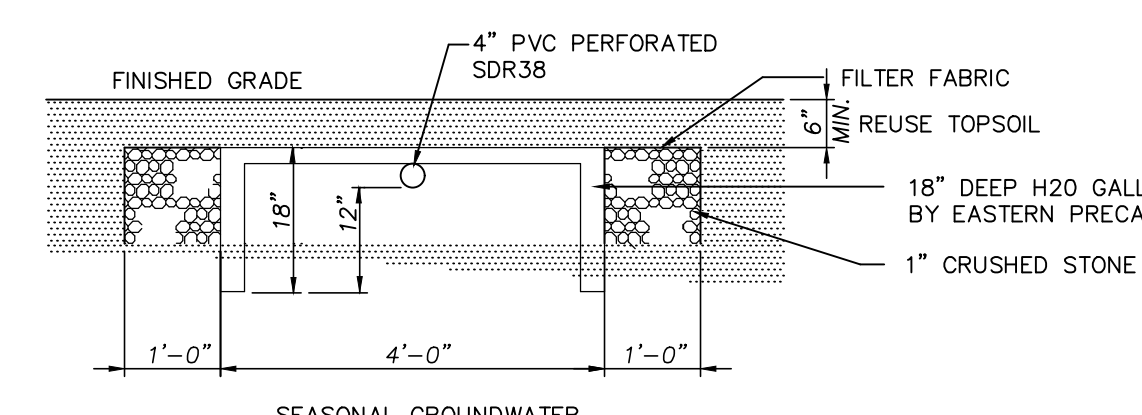
Tree types hereon provided as a guidance only and not to be relied upon. Contact an arborist to verify tree types.

Sound View
ENGINEERS & LAND SURVEYORS, LLC
239 Glenville Road, Suite 300
Greenwich, CT 06831
(203) 532-1300 PHONE info@soundviewengineers.com
www.soundviewengineers.com

PREPARED FOR:
DIXON TORRES ZUNIGA
ADDRESS:
3 APPLE TREE LANE
NORWALK, CONNECTICUT

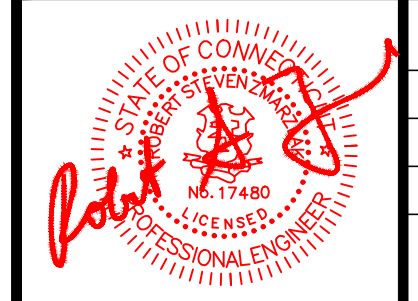
DRAWING TITLE:
SITE DEVELOPMENT PLAN

DWG. NO: 2561-3-SDP
SCALE: 1" = 20'
DATE: SEPTEMBER 17, 2021
SDP



TYPICAL 18" HIGH PRECAST CONCRETE GALLERY

N.T.S.



THIS PRINT IS INVALID WITHOUT EMBOSSED SEAL.